

Valve Box

USER'S MANUAL



Publication 5617-011 Rev B

www.kdscientific.com

kdScientific

phone 508.429.6809

email info@kdscientific.com

Table of Contents

SUBJECT	PAGE NO.
General Information	3
Manual Description	3
Safety Information.....	3
Warranty and Repair Information	4
Warranty	4
Repair Facilities and Parts	4
Serial Numbers.....	4
Product Overview	6
Operating Instructions.....	6
Power Connections	6
Valve Box Flow Diagrams.....	6
Valve and Tubing Information	7
Appendices	8
Appendix A: Maintenance	8
Appendix B: Pump to Valve Box Connections	9
Appendix C: Ordering Information	9

General Information

Manual Description

This manual is designed to provide all information required to connect the valve box to your syringe pump and fluidic system.

SAFETY INFORMATION

Please read the following safety precautions to ensure proper use of your valve box. If the equipment is used in a manner not specified, the protection provided by the equipment may be impaired.

To Prevent Hazard or Injury:

USE PROPER POWER SUPPLY

The valve box is supplied with an approved power supply and line cord. To maintain the safety integrity of the device, use only the following power supplies that was shipped with the device:

USE PROPER LINE CORD

Use only the specified line cord for this product and make sure line cord is certified for country of use. The operating voltage range for the valve boxes is 12 or 24 VDC (see spec page). The universal power supply operating voltage range is 100-240 VAC, 50-60 Hz. 115 VAC and 230 VAC versions differ only with the line cord supplied.

GROUND THE PRODUCT

This product is grounded through the grounding conductor of the power cord. To avoid electric shock, the grounding conductor must be connected to earth ground. Before making any connections to the input or output terminals of the product, ensure that the product is properly grounded.

MAKE PROPER CONNECTIONS

Make sure all connections are made properly and securely. Any signal wire connections to the unit must be no longer than 3 meters.

OBSERVE ALL TERMINAL RATINGS

Review the operating manual to learn the ratings on all connections.

AVOID EXPOSED CIRCUITRY

Do not touch any electronic circuitry inside of the product.

DO NOT OPERATE WITH SUSPECTED FAILURES

If damage is suspected on or to the product do not operate the product. Contact qualified service personnel to perform inspection.

ORIENT THE EQUIPMENT PROPERLY

Do not orient the equipment so that it is difficult to operate the disconnection device.

PLACE PRODUCT IN PROPER ENVIRONMENT

Review the operating manual for guidelines for proper operating environments.

OBSERVE ALL WARNING LABELS ON PRODUCT

Read all labels on product to ensure proper usage.



CAUTION
Refer to Manual



Protective
Ground Terminal

WARRANTY AND REPAIR INFORMATION

Warranty

KD Scientific warrants this instrument for a period of one year from date of purchase. At its option, KD Scientific will repair or replace the unit if it is found to be defective as to workmanship or materials. This warranty does not extend to damage resulting from misuse, neglect or abuse, normal wear and tear, or accident. This warranty extends only to the original consumer purchaser.

IN NO EVENT SHALL KD SCIENTIFIC BE LIABLE FOR INCIDENTAL OR CONSEQUENTIAL DAMAGES. Some states do not allow the exclusion or limitation of incidental or consequential damages so the above limitation or exclusion may not apply to you. **THERE ARE NO IMPLIED WARRANTIES OF MERCHANTABILITY, OR FITNESS FOR A PARTICULAR USE, OR OF ANY OTHER NATURE.** Some states do not allow this limitation on an implied warranty, so the above limitation may not apply to you.

If a defect arises within the warranty period, promptly contact **KD Scientific, 84 October Hill Road, Holliston, Massachusetts 01746** using our toll free number 1-508-429-6809. Email address is info@kdsscientific.com. Goods will not be accepted for return unless an RMA (returned materials authorization) number has been issued by our customer service department. The customer is responsible for shipping charges for non-warranty repairs. Please allow a reasonable period of time for completion of repairs or replacement. If the unit is replaced, the replacement unit is covered only for the remainder of the original warranty period dating from the purchase of the original device.

This warranty gives you specific rights, and you may also have other rights which vary from state to state.

Repair Facilities and Parts

KD Scientific stocks replacement and repair parts. When ordering, please describe parts as completely as possible, preferably using a part number obtained from our Technical Support department. If practical, enclose a sample part or sketch. We offer a complete reconditioning service.

Serial Numbers

All inquiries concerning our product should refer to the serial number of the unit, located on the rear panel.

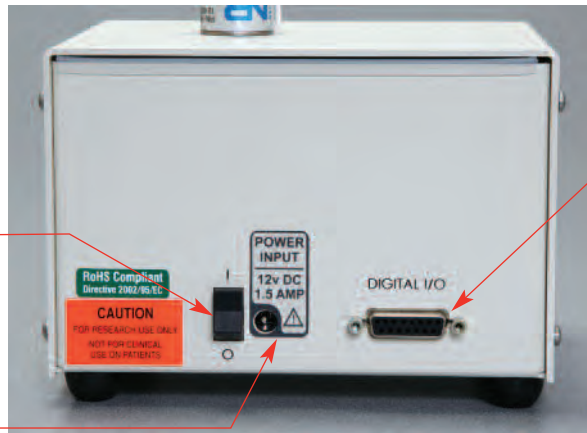


CAUTION: FOR RESEARCH USE ONLY. NOT FOR CLINICAL USE ON PATIENTS.

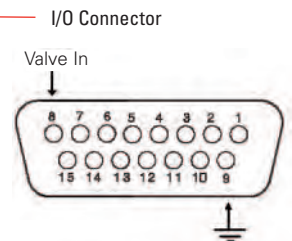
Product Overview



- POWER Power (green LED)
- ACTUATION Valve Actuated (green LED)
- FAULT Fault Indicator (red LED)
[example: shorted coil or excess current]



- Main Switch
- DC Power Input



NOTE $2 \leq V_{IH} \leq 30 \text{ v}$
 $0 \leq V_{IL} \leq 1.2 \text{ v}$

NOTE The input connection is optically isolated.

NOTE KD Scientific syringe pumps default is set such that the valve is actuated when pump is withdrawing. See pump user's manual for additional info.

NOTE To reduce heat generation, after activation the current drops to 1/3 its value to hold.

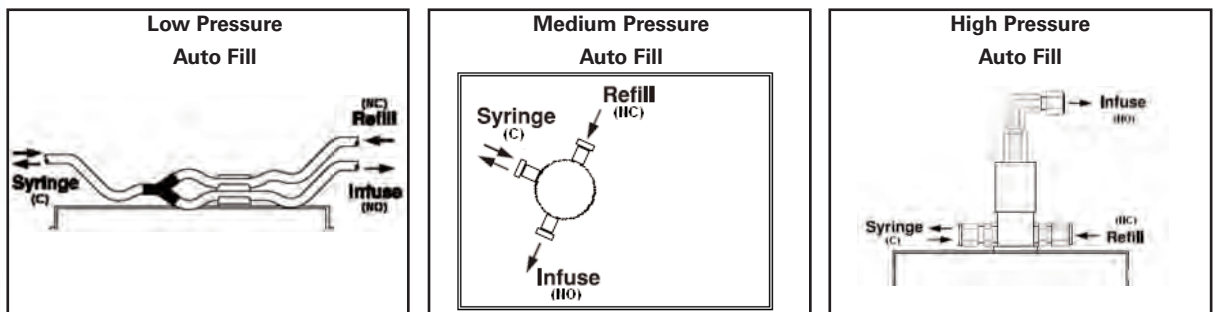
OPERATING INSTRUCTIONS

POWER CONNECTIONS

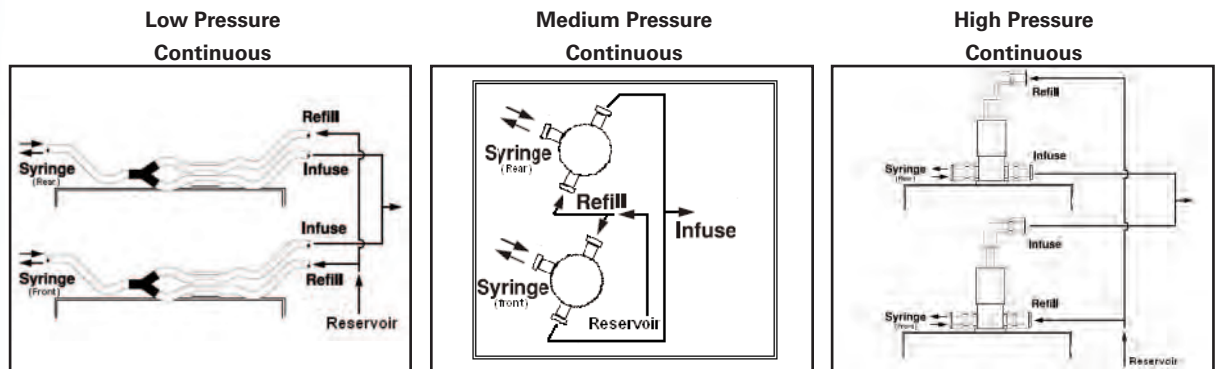
1. Plug the power cord in. The Valve box has a DC power input connector on the rear of the unit. The operating range for the Valve box is 12 or 24 Vdc.
2. Turn on the main power switch.
3. Connect to valve box to pump. See Appendix B for connection details,

Valve Box Flow Diagrams

Auto Fill Valve Boxes: single valve - commonly used to reload syringe once it is empty or partially empty



Continuous Delivery Valve Boxes: dual mounted valves - commonly used with a Legato 200 Push/Pull



NOTE

For 2 discrete flow streams, make connections to both valves as done in the auto fill set up.

VALVE AND TUBING INFORMATION

Low Pressure Valve Boxes:

Pressure: 25 psi

Valve: pinch, supplied with C-flex tubing 1/16 ID x 1/8 OD

NOTE

This tubing can be easily replaced. Other types of tubing, such as silicone, will work as long as the durometer of the tube is ~45 (shore A).

Medium Pressure Valve Boxes:

Pressure: 100 psi

Valve: Teflon for all wetted parts

3-port (1/4-28 with 1/16 OD tube fittings for plastic tubing)

NOTE

The fittings can be replaced with barb or luer connections if needed.

High Pressure Valve Boxes:

Pressure: 200 psi

Valve: 303 stainless steel with perfluoroelastomer seals

3-port (1/8 inch NTP with 1/4 inch OD SWAGELOK fittings for stainless steel tubing)

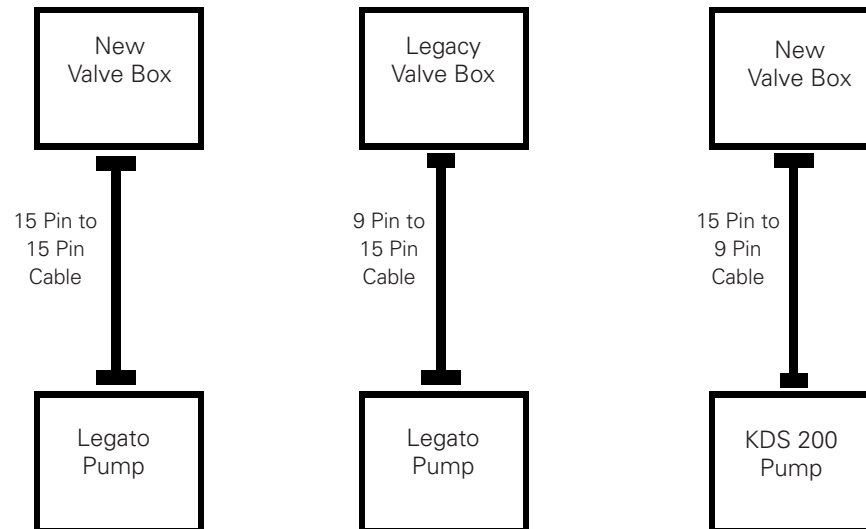
APPENDIX A: MAINTENANCE

Maintenance

Valve boxes require no special maintenance other than keeping them clean by avoiding accidental spills of pumped material.

To clean the exterior surfaces, use a lint-free cloth to remove loose dust. For more efficient cleaning, use a soft cloth dampened [not soaked] with water, an aqueous solution of 75% isopropyl alcohol, or a mild detergent.

APPENDIX B: PUMP TO VALVE BOX CONNECTIONS



APPENDIX C: ORDERING INFORMATION**Standard Version**

Description	Dual Syringe
Auto Fill Valve Box, Low Pressure	788333
Auto Fill Valve Box, Medium Pressure	788336
Auto Fill Valve Box, High Pressure	788338
Continuous Delivery Valve Box, Low Pressure	788332
Continuous Delivery Valve Box, Medium Pressure	788335
Continuous Delivery Valve Box, High Pressure	788337

Replacement Parts

Description	Catalog Number
Replacement 3-Way Pinch Valve	5126035
Replacement 3-Way Solenoid Valve	5126045
Replacement Valve, High Pressure	5126057
Bio-Chem C-Flex Replacement Tubing	5122033
I/O Communication Kit	4400233
I/O Communication Kit - Legacy Valve Box	4400232

Valve Kits

Description	Catalog Number
Low Pressure Auto Fill Kit	788345
<i>Female luer lock to 1/16 barb (4 pcs), union 1/16 barb to 1/16 barb (4 pcs) & C-flex tubing (10 ft)</i>	
Low Pressure Continuous Delivery Kit - (2x autofill kit)	788346
Medium Pressure Nut / Ferrule Auto Fill Kit	788347
<i>Nut PEEK 1/16, 1/4-28 (3 pcs), Ferrule, flangeless 1/16 (3 pcs) & Teflon tubing (5 ft)</i>	
Medium Pressure Nut / Ferrule Continuous Delivery Kit - (2x autofill kit)	788348
Medium Pressure Barb Auto Fill Kit	788349
<i>Barb 1/16 (3 pcs) & C-flex tubing (10 ft)</i>	
Medium Pressure Barb Continuous Delivery Kit - (2x autofill kit)	788353
Medium Pressure Luer Auto Fill Kit	788351
<i>Female to male luer lock 1/4-28 (1 pc), Male to female luer lock 1/4-28 (2 pcs)</i>	
Medium Pressure Luer Continuous Delivery Kit - (2x autofill kit)	788352

Specials

Special valve box versions can be created (additional quantity of valves, various fitting types or different valve) types to suit your application. Please contact us for more information.