



Gemini 88
User's Manual

WEEE/RoHS Compliance Statement

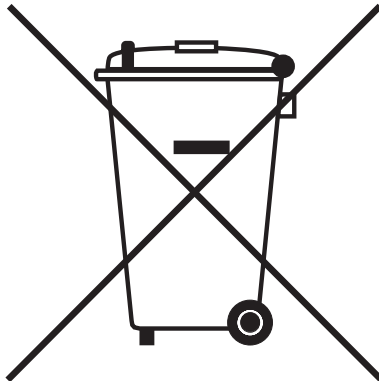
EU Directives WEEE and RoHS

To Our Valued Customers:

We are committed to being a good corporate citizen. As part of that commitment, we strive to maintain an environmentally conscious manufacturing operation. The European Union (EU) has enacted two Directives, the first on product recycling (Waste Electrical and Electronic Equipment, WEEE) and the second limiting the use of certain substances (Restriction on the use of Hazardous Substances, RoHS). Over time, these Directives will be implemented in the national laws of each EU Member State.

Once the final national regulations have been put into place, recycling will be offered for our products which are within the scope of the WEEE Directive. Products falling under the scope of the WEEE Directive available for sale after August 13, 2005 will be identified with a "wheelie bin" symbol.

Two Categories of products covered by the WEEE Directive are currently exempt from the RoHS Directive - Category 8, medical devices (with the exception of implanted or infected products) and Category 9, monitoring and control instruments. Most of our products fall into either Category 8 or 9 and are currently exempt from the RoHS Directive. We will continue to monitor the application of the RoHS Directive to its products and will comply with any changes as they apply.



- **Do Not Dispose Product with Municipal Waste**
 - **Special Collection/Disposal Required**

KDS Gemini 88

Contents

Specifications.....	2
Warranty and Repair Information.....	3
General Safety Summary.....	4
Features	5
Initial Setup	6
Loading Syringes.....	7
User Interface:	
Description of Keys.....	8-9
Entering Data.....	10
Operation:	
Diameters	11
Pumping Rates	11
Selecting the Run Mode	11
Selecting the Pumping Directions.....	11
Running the Pump	12
Single Syringe Operation.....	12
Valve Control Box.....	13
Pinch Valve Connectors	14
Stainless Steel Valve Connectors	15
External Control and Interfaces:	
Attaching/Configuring a Pump Chain	16
TTL Devices	17
Foot Switch Input	17
Pump Chain Commands:	
Pump Commands and Responses	18-22
Pump Chain Error Messages	22
Appendices:	
A. Syringe Diameters in mm.....	23
B. Nominal Min/Max Flow Rates.....	24
C. Command Information.....	25
D. RS-232 Specifications	26
E. TTL Connector Specifications.....	26
F. Pump to PC Connection	27
G. Maintenance	28
H. Troubleshooting	29
I. Accessories	29
J. Custom Applications	30

KDS Gemini 88

Specifications

Type	Microprocessor dual drive, single syringe, infuse/withdraw
Accuracy	$\pm 0.35\%$
Reproducibility	$\pm 0.1\%$
Syringe:	
Type	Plastic, glass or stainless steel
Size Minimum	0.5 μl
Size Maximum	140 ml
Flow Rate:	
Minimum	0.0004 $\mu\text{l/hr}$
Maximum	106.6 ml/min
Non Volatile Memory	Storage of all settings
RS-232	RJ11-4 conductor
TTL	9-pin connector
Average Linear Force	57 lbs
Drive Motor	2 motors, each 0.9° step angle motor
Motor Drive Control	Microprocessor controlled from 1/2 to 1/4 microstepping
Motor Steps per Rev. of Leadscrew	1,600 steps at 1/2 stepping or 3,200 steps at 1/4 stepping
Step Resolution	0.33 $\mu\text{m/step}$
Step Rate:	
Minimum	27.3 sec/step
Maximum	416.7 $\mu\text{sec/step}$
Pusher Travel Rate:	
Minimum	0.726699 $\mu\text{m/min}$
Maximum	95.25 mm/min
Power	45 W, 1.0 A fuse
Voltage Range	95 to 130 VAC, 60 Hz; 220 to 260 VAC, 50 Hz, selectable
Dimensions, H x W x D	15.2 x 31.1 x 28.6 cm (6 x 12.5 x 11.25 in)
Weight	6.8 kg (15 lb)
Timing Belt Drive	2:1
Lead Screw Pitch	24 threads/inch
Display	5 digits plus 14 indicator LEDs

KDS Gemini 88

General Information - Warranty and Repairs

Serial Number

All inquires concerning our product should refer to the serial number of the unit. Serial numbers are located on the rear of the chassis.

Calibration

All syringe pumps are designed and manufactured to meet their performance specifications at all rated voltages and frequencies. A calibration certificate is available upon request. Contact customer service for details and pricing.

Warranty

KD Scientific warranties this instrument for a period of one year from date of purchase. At its option, KD Scientific will repair or replace the unit if it is found to be defective as to workmanship or material.

This warranty does not extend to damage resulting from misuse, neglect or abuse, normal wear and tear, or accident.

This warranty extends only to the original customer purchaser.

IN NO EVENT SHALL KD SCIENTIFIC BE LIABLE FOR INCIDENTAL OR CONSEQUENTIAL DAMAGES. Some states do not allow exclusion or limitation of incidental or consequential damages so the above limitation or exclusion may not apply to you.

THERE ARE NO IMPLIED WARRANTIES OF MERCHANTABILITY, OR FITNESS FOR A PARTICULAR USE, OR OF ANY OTHER NATURE. Some states do not allow this limitation on an implied warranty, so the above limitation may not apply to you.

If a defect arises within the one-year warranty period, promptly contact your local distributor or **KD Scientific, 84 October Hill Road Holliston, Massachusetts 01746-1388, 508-429-6809.** Goods will not be accepted for return unless an RMA (returned materials authorization) number has been issued by our customer service department. The customer is responsible for shipping charges. Please allow a reasonable period of time for completion of repairs, replacement and return. If the unit is replaced, the replacement unit is covered only for the remainder of the original warranty period dating from the purchase of the original device.

This warranty gives you specific rights, and you may also have other rights which vary from state to state.

Repair Facilities and Parts

KD Scientific stocks replacement and repair parts. When ordering, please describe parts as completely as possible, preferably using our part numbers. If practical, enclose a sample or drawing. We offer a complete reconditioning service.



CAUTION

This pump is not registered with the FDA and is not for clinical use on human or veterinary patients. It is intended for research use only.

KDS Gemini 88

General Safety Summary

Please read the following safety precautions to ensure proper use of your syringe pump. To avoid potential hazards and product damage, use this product only as instructed in this manual.

TO PREVENT HAZARD OR INJURY:

Use Proper Line Cord

Use only the specified line cord for this product and make sure line cord is certified for country of use.

Ground the Product

This product is grounded through the grounding conductor of the power cord. To avoid electric shock, the grounding conductor must be connected to earth ground. Before making any connections to the input or output terminals of the product, ensure that the product is properly grounded.

Make Proper Connections

Make sure all connections are made properly and securely. Any signal wire connections to the unit must be no longer than 3 meters.

Observe all Terminal Ratings

Review the operating manual to learn the ratings on all connections.

Use Proper Fuse

Use only specified fuses with product.

Avoid Exposed Circuitry

Do not touch any electronic circuitry inside of the product.

Do Not Operate with Suspected Failures

If damage is suspected on or to the product do not operate the product. Contact qualified service personnel to perform inspection.

Place Product in Proper Environment

Review the operating manual for guidelines for proper operating environments.

Observe all Warning Labels on Product

Read all labels on product to ensure proper usage.



CAUTION
Refer to Manual



*Protective Ground
Terminal*

KDS Gemini 88

Features

Pressure and Speed

Pump 33 can deliver up to 106.60 ml/min with a 140 ml syringe, and is capable of pressures of up to 99.5 PSI with a 20 ml syringe.

Independent Syringe Diameters and Rates

In the Proportional Mode, separate syringe types and rates may be set.

Variable Syringes

Enter the inside diameter of the syringes being used.

Modes of Operation

Auto Stop

Both syringes will operate at same rate and stop when either syringe reaches a limit stop.

Continuous Run

With both syringes operating at same rate, when end of travel is reached, the pump automatically reverses the direction of travel for both syringes. The external valves, optionally attached to the syringes, will be automatically activated or deactivated.

Proportional

Pump operates as in Auto Stop, but independent rates and diameters are set for each syringe.

Parallel/Reciprocal Operation

Syringes may pump in the same direction (parallel) or opposite directions (reciprocal).

External Connections

TTL

Allows pump operations to be synchronized with external devices or by a person at a distance from the pump. Direction of pump travel can be set via a TTL pin. Also, TTL pins are used to control an external valve for refilling and provide an output to indicate whether or not the pump is running. Additional TTL pins are available for general use.

RS-232

Multiple pumps can be chained together and remotely controlled from a computer or any device communicating via RS-232.

Non-Volatile Memory

All operational data entered into the pump from the keypad or requested to be saved via RS-232, will be stored. On power up, all settings from when it was powered down will be recalled and the display will blink until the pump receives its first command.

Stall Detection

An optical detector on each motor is used to verify expected movement of the motors. If motor is prevented from turning due to jamming or kinking of the tubing, the pump stops and the display indicates a stall condition by blinking the run light and the syringe direction light of the stalled syringe. Pump 33 employs a microcontroller which controls a small step angle stepping motor that drives a lead screw and half nut. Microstepping techniques are used to further reduce the step angle making flow pulsation negligible. A keypad is used for entry of operating data to the pump or data can be entered via RS-232. The microcontroller calculates the cross-sectional area of the syringe selected and calibrates the flow rate.

KDS Gemini 88

Initial Setup

- 1) Read the manual.
- 2) Locate the voltage selector switch on the rear panel of the pump and set it to the voltage being used. If other than 115VAC, 60 Hz is being used, the plug must be cut off and an appropriate plug installed, observing the polarity of the international line cord used:

Brown - high
Blue - neutral
Green - ground
- 3) Turn on main power switch located directly above the line cord on the rear panel. The display will illuminate indicating that the power connections are correct. The flashing display indicates that power has just been applied.
- 4) Load syringes.
- 5) Set syringe ID
- 6) Set pumping rate(s)
- 7) Select the run mode
- 8) Selecting the pump direction

See section on operation for more information

KDS Gemini 88

Loading Syringes

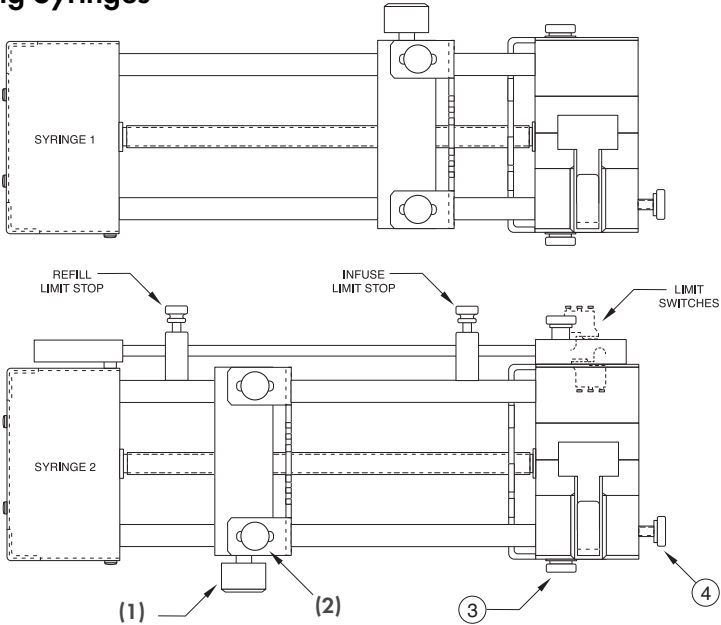


Figure 1. Syringe Loading

- 1) The syringe holder and pusher block are fitted with movable retaining brackets which hold the syringe barrel and plunger when refilling. When loading the syringe into the pump, it is necessary to adjust these brackets. The pusher block is fitted with a mechanism to release the drive nut from the leadscrew. This allows the block to move freely so the syringe to be loaded.
- 2) Loosen the screws on the syringe block and pusher block to free the retaining brackets (2 and 3, Figure 1)
- 3) To free the pusher block from the leadscrew, turn the knob on the front of the block (1) until the pin in the knob slips into the hole in the block.
- 4) The syringe clamp locking screw on the right side of the syringe block (4) should be loosened and the clamp rotated to the side.
- 5) Place the syringe barrel on the syringe holder block and move the pusher block to accommodate the plunger.
- 6) Make sure the syringe barrel flange and the plunger flange are held by the retaining clamps. Press the retaining brackets firmly against the flanges and tighten the retaining screws.
- 7) Rotate the syringe clamp and press down firmly on the syringe barrel. Secure in place by tightening the locking screw (4).

Setting Limit Stops

To set the limit stops, loosen thumbscrews on limit stops and slide stops to desired travel limits (infuse limit & refill), tighten thumbscrews.

KDS Gemini 88

User Interface:

DESCRIPTION OF KEYS

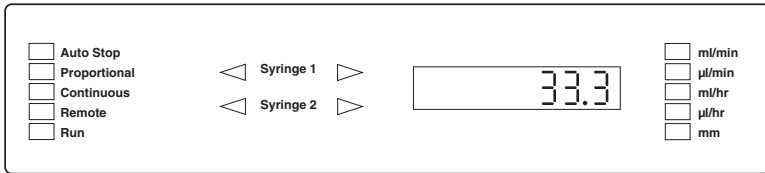


Figure 2. User Interface

The user interface consists of a display area and a keypad. The display consists of a 5 digit LED display and 14 LED indicators. The display will be showing either the default display or an informational message. The two syringes are referred to as Syringe 1 and Syringe 2. Syringe 1 is located towards the front and Syringe 2 is located towards the rear. Rate 1 refers to the set flow rate of Syringe 1 and Rate 2 refers to Syringe 2.

By default, the display will be showing Rate 1. Informational messages are shown when the user queries another data value by pressing the corresponding key, or when the pump is alerting the user to a problem. Such problems are a value out of range (oor) or the pump stalling (StALL).

The 14 LED indicators are divided into three sections: Pump mode and state, syringe directions, and units of value being displayed. See Figure 2. The LED indicators are as follows:

Pumping Mode and State LEDs

Auto Stop
Proportional
Continuous
Remote
Run

Meaning

Pump is in Auto Stop mode
Pump is in Proportional mode
Pump is in Continuous mode
Pump Chain communication
At least one motor is operating

Syringe Directions LEDs

Comprising of 4 indicators, these LED's indicate the direction of the syringes when illuminated. When **blinking**, indicates the corresponding motor is stalled, or data pertaining to that syringe is being entered.

Unit LEDs

ml/min
µl/min
ml/hr
µl/hr
mm

Meaning

milliliters per minute
microliters per minute
milliliters per hour
microliters per hour
millimeters

KDS Gemini 88

User Interface:

DESCRIPTION OF KEYS (CONTINUED)

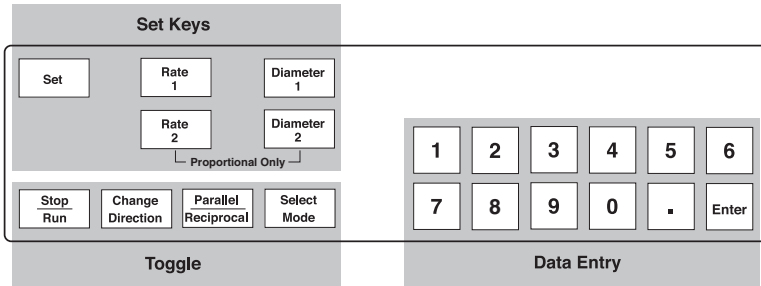


Figure 3. Keypad Interface

The keypad consists of 21 keys used for entering control information and data into the pump. These keys are grouped into 3 sections (see Figure 3 above): Set keys, toggle keys, and data entry keys.

Set Keys

- Set** Allows modification of a data item in this group of keys. To modify a data item, press the relevant key after pressing the SET key.
- Rate 1** Displays/sets current rate of syringe 1. Also syringe 2 rate if current mode is not Proportional. Scrolls through rate units when setting.
- Rate 2** Displays/sets current rate of syringe 2. Scrolls through rate units when setting. Key only valid in Proportional mode.
- Diameter 1** Displays/sets current diameter of syringe 1. Also diameter of syringe 2 if current mode is not Proportional.
- Diameter 2** Displays/sets current diameter of syringe 2. Key only valid in Proportional mode.
- "1"** Used to display and set current Pump Chain address and to scroll through supported baud rates while setting.

Toggle Keys

- Parallel/ Reciprocal** Chooses between Parallel and Reciprocal pumping operation.
- Select Mode** Chooses between Proportional, Continuous Run, or Auto Stop. LED indicators display current mode. Pump must be stopped to change modes.
- Change Direction** Reverses direction of both syringes and sets the valve control Output as appropriate.
- Run/Stop** Starts or stops the pump.

Data Entry Keys

- 1 through 0, .** Used to facilitate the entering of numeric data values.
- Enter** Stores displayed data value when entering data.

KDS Gemini 88

Entering Data

Set Keys

The keys in this group are used to modify or review settings of the pumps control data. To review the current setting of a control data item, simply hold down the relevant key and the data setting will appear in the display.

To modify a data setting, first press then release the green SET key. The display will then read "SET". Press the key in the SET key group of the data item that is to be modified. The display will show the current setting. Data is entered into the pump by either entering a numerical value or, in the case of entering a baud rate, by scrolling through a menu of choices. Always press ENTER to terminate each data request by the pump.

When entering a numerical value, the LEDs corresponding to the data being entered will blink. Using the yellow data entry keys on the right side of the keypad (see Figure 3) enter the new data value. Up to five digit numbers are accepted for rates and diameters, including up to four decimal places. Entering more than five digits will clear the previous five digits in the display. Press the green ENTER key when the desired data value is displayed.

If the data value entered is outside the pump's operating parameters, the display will read "oor" meaning "Out of Range". Pressing any key will restore the display with the original data value. Enter another data value within the pump's parameters or just press ENTER to reuse the original data value.

The data value entered can be reviewed as described above. Note: Certain data items have multiple settings. For these, after the ENTER key is pressed, the display will prompt you for the additional information. Various rules apply to when, what and how data can be set at various times. See the relevant section for further details.

Toggle Keys

The keys in this group, when pressed successively, select different states. Each state change is accompanied by a corresponding change in status LED display.

To operate, Pump 33 needs to know the diameter(s) of the syringes, the rate(s) of pumping, pumping directions, and the mode of operation. Except for Proportional mode, syringe 2 is assumed to be the same diameter as syringe 1 and will pump at same rate as syringe 1.

KDS Gemini 88

Operation

DIAMETERS

The pump must be stopped when entering a diameter. Diameter 1 is the diameter of both syringes, except in Proportional mode. In Proportional mode, enter the diameter of each syringe separately; Diameter 1 for syringe 1 and Diameter 2 for syringe 2. When entering a diameter, the 2 direction LEDs corresponding to the syringe and the "mm" LED will blink. Enter the inside diameter of the syringe in millimeters. After a new diameter is entered the corresponding rate is set to 0. This is done for reasons of safety. The maximum diameter is 50 mm. See Appendix A for a list of syringe diameters.

PUMPING RATES

Rate 1 is the rate of pumping of both syringes, except in Proportional mode. In Proportional mode, enter the rate of each syringe separately, Rate 1 for syringe 1 and Rate 2 for syringe 2. When entering a rate, the directional LEDs corresponding to the syringe and the current units LED will blink. Use the corresponding rate key (RATE 1 or RATE 2) to scroll through the rate units: ml/min, ml/hr, μ l/min and μ l/hr. The minimum and maximum rates permitted vary depending on the diameter of the syringe. If an "OOR" message, meaning "Out of Range" is displayed when entering a rate, try using a different syringe for your application.

SELECTING THE RUN MODE

To select the run mode, press the SELECT MODE key to advance the run mode LED indicator. Advance the run mode indicator to the desired mode, either Auto Stop, Proportional, or Continuous mode.

Auto Stop	Both syringes pump according to DIAMETER 1 and RATE 1 until syringe 1 reaches the limit switch, pump stops.
Proportional	Each syringe pumps independently; syringe 1 according to DIAMETER 1 and RATE 1, syringe 2 according to DIAMETER 2 and RATE 2. When syringe 1 reaches limit switch, pump stops.
Continuous	Both syringes pump according to DIAMETER 1 and RATE 1. When syringe 1 reaches limit switch, the direction of pumping for both syringes is reversed and pumping continues. The valves, if applicable, are set accordingly.

Selecting the Pumping Directions

Parallel or Reciprocal Operation	Pressing the PARALLEL/ RECIPROCAL key reverses pumping direction of syringe 2.
Change Direction	Pressing the CHANGE DIRECTION key reverses the pumping directions of both syringes. When valves are used in the system then the valve(s) setting(s) will be changed simultaneously with the change in direction.

KDS Gemini 88

Operation (continued)

RUNNING THE PUMP

Pressing RUN/STOP key starts pump and illuminates Run LED on display. Pressing RUN/STOP key again stops pump. While running, a new rate can be set. The new rate, for relevant syringe(s), takes effect when ENTER key is pressed. Pump will operate according to selected run mode. Pump can also be started and stopped via external controls. If operation of one of the motors is impeded, both motors will stop and display will read "StALL", with the "run" LED and the direction LED of stalled syringe blinking. Investigate cause of stalling and then press RUN/STOP key to resume pumping.

SINGLE SYRINGE OPERATION

To operate only one syringe, select the Proportional mode and set the rate of the syringe not in use to 0. Set the diameter and rate of the other syringe to discard values.

KDS Gemini 88

Valve Control Box

Setting up Valve

Set up consists of:

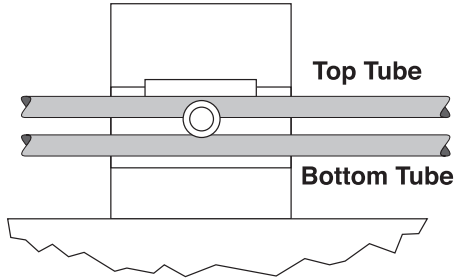
- 1) Pump to Valve Electrical Connections:
The cable fitted with a male 9 pin D-sub connector must be connected to the female D-sub connector on the rear of the Model 33 Syringe Pump. The Valve Power can now be switched on with the illuminated power On/Off switch on the front valve housing.
- 2) Valve tubing to syringe hook up:
The valve(s) are de-energized when the front mechanism (#1) is running in the INFUSE direction. The syringe on the #1 mechanism when infusing should therefore be connected to the lower tubing in the pinch valve (see figures on next page).

Continuous Delivery Valve Boxes

Model No.	Description
55-7000	Pump 33 Continuous Delivery Valve Box, normal pressure, 30 p.s.i. supplied with 3.2 mm ID X 6.4 mm OD (1/8" ID X 1/4" OD) silastic tubing and a connector cable for connection to the syringe pump.
55-7001	Pump 33 Continuous Delivery Valve Box, high pressure, 200 p.s.i. supplied with 6.4 mm (1/4) OD stainless steel tubing with SWAGELOK® fittings and connector cable for connection to the syringe pump.

KDS Gemini 88

Pinch Valve Connectors



Valve Shown de-energized

Figure 4. Pinch Valve Connections

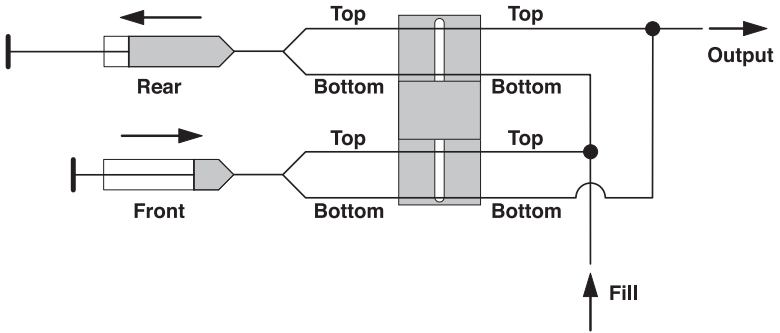


Figure 5. Continuous Delivery. Pump in Reciprocal Mode.

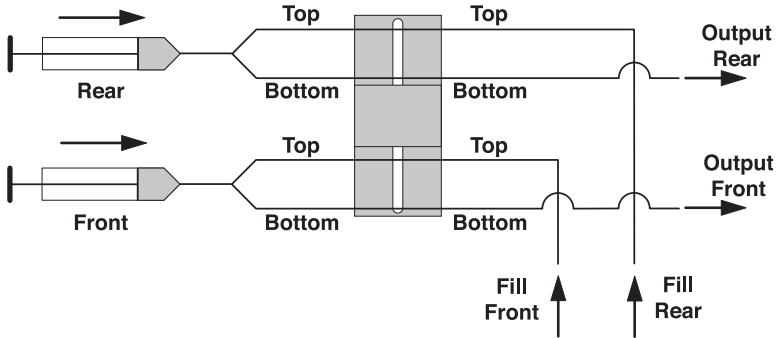


Figure 6. Dual Delivery followed by Refill. Pump in Parallel Mode.

KDS Gemini 88

Stainless Steel Valve Connectors

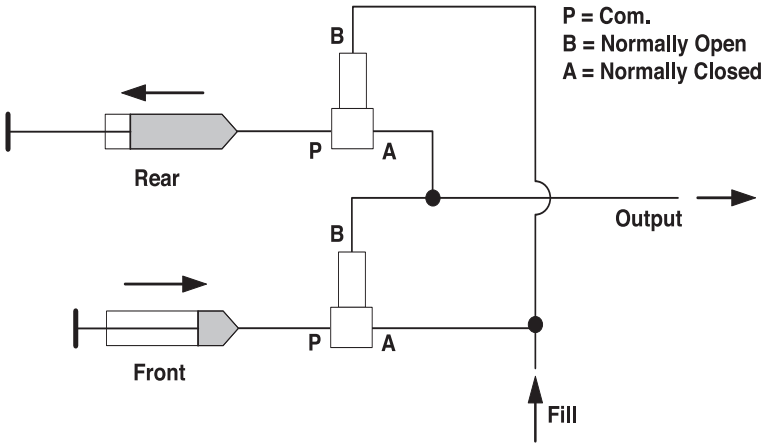


Figure 7. Continuous Delivery. Pump in Reciprocal Mode.

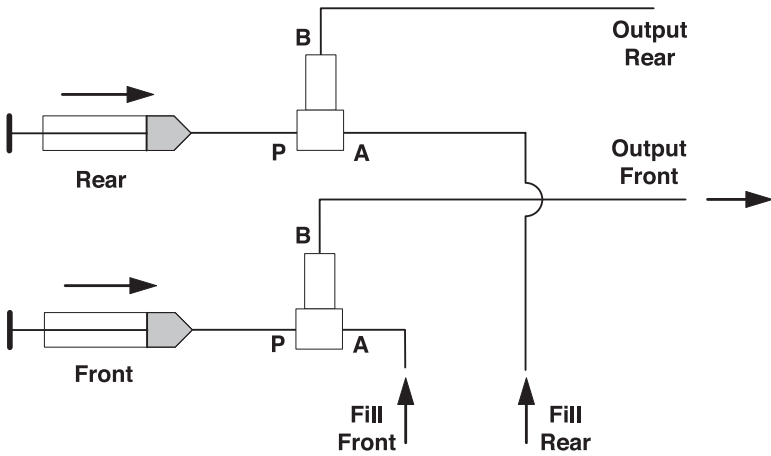


Figure 8. Dual Delivery followed by Refill. Pump in Parallel Mode.

Swage lock fittings should be finger tight plus 1-1/4 turns. Tubing is 304, stainless 1/4" OD, wall thickness 0.035"

KDS Gemini 88

External Control and Interfaces

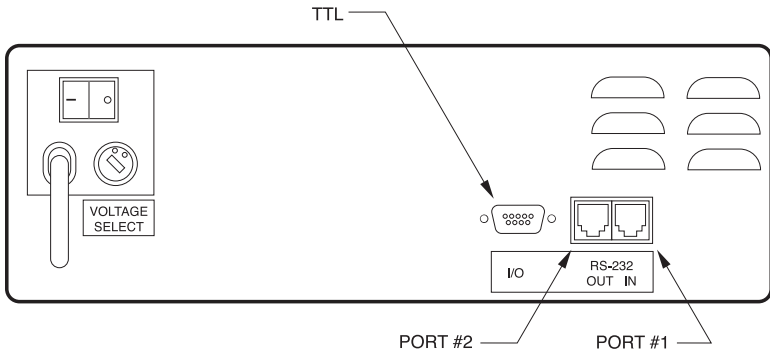


Figure 9. External Interface

External devices that can be attached to the Pump 33 include external valves, pump chain, and TTL devices. See the appropriate appendixes for specification details on attaching devices.

ATTACHING A PUMP CHAIN

On the back of the pump are two telephone jack type connectors. These are the RS-232 ports. Looking at the back of the pump, the connector on the right is port 1 and the left is port 2. Attach the RS-232 connectors in the appropriate port according to the following chart:

Device	Port Number
Computer	1
Pump Chain	2

CONFIGURING THE PUMP CHAIN

After pressing SET and 1, the Remote LED will blink, indicating the pump is requesting its pump chain configuration:

- 1) First, the display will show "Adr:nn", with the colon blinking, where "nn" is the current pump chain address. Enter the 2 digit address assigned to the pump and press ENTER. Note: Each pump in the chain needs a unique address.
- 2) Next, the display will show "b:nnnn", with the colon blinking, where "nnnn" is the current baud rate. Use the 1 key to select between the supported baud rates: 300, 1200, 2400 and 9600; then press ENTER. Note: Each pump in the chain must have the same baud rate.

See the section on Pump Chain Commands for pump chain control information.

ATTACHING A VALVE CONTROL ACCESSORY BOX

Attach the valve control cable to the pump's accessory valve connection (see Figure 9). Refer to the Valve Control Box section.

KDS Gemini 88

External Control and Interfaces (continued)

TTL DEVICES

The pump does not need to be configured to attach a TTL device. To attach a TTL device, simply plug the appropriate TTL connector into the 9 pin connector on the rear of the pump. See Appendix E for wiring specifications.

Foot Switch Input

Used to start and stop the pump. Pressing the foot switch performs the same function as pressing the RUN/STOP key on the keypad. The foot switch connector allows remote or automated operation of the pump.

Timer Input

Opening the timer input starts the pump. Closing the timer input stops the pump. The timer input allows for an externally controlled pumping interval.

Pumping Direction Input

Sets the direction of pumping. Opening the directional input sets syringe 1 to infuse. Closing the input sets syringe 1 to refill. The pumping direction input is not recognized when data is being entered from the keypad. Syringe 2 changes direction appropriately. Also, the valve control output is set appropriately.

Directional Indicator Output

The Directional Indicator output is an indicator of the direction of pump travel. When the output is a logical high, syringe 1 is set to infuse. A logical low indicates refill. A valve attached to this output enables automatic selecting of infuse and refill vessels.

Running Indicator Output

Provides a signal to another device indicating whether or not the pump is running.

KDS Gemini 88

Pump Chain Commands

PUMP CHAIN COMMANDS AND RESPONSES

The Pump Chain RS-232 interface is used to enhance the control applications of the Pump 33. This interface allows all control information to be entered into the pump from an external source such as a computer. In addition, this interface allows up to 100 Pump 33's or, in certain cases, other RS-232 devices to be controlled from a single RS-232 communication port on a computer. Assign each pump in the pump chain a unique address from 0 to 99. This address is used to identify which pump is to receive a command and which pump is responding. Configure each pump with its assigned address and the baud rate being used (See External Control & Interfaces). When a pump is sent a command, or a request is made for its prompt, the Remote LED on the display will illuminate, indicating that the pump is receiving pump chain commands. The LED remains illuminated until the pump is turned off or SET and 1 is entered on the keypad, indicating a change in the pump chain configuration.

A pump will not respond to pump chain communication while it is in a setting mode (entered when the user presses the SET key). The pump can still be controlled from the keypad while it is in a pump chain. Control data that is changed via RS-232 will NOT be stored in the pump's non-volatile memory unless requested with the "SAV" command or other data is changed from the keypad. Each command sent to the pump chain is a string of ASCII characters, with leading zero's on numbers and all spaces optional. Numbers are a maximum of five digits. The following symbols are used in describing the commands:

Symbol	Meaning
[. . .]	optional
{. . .}	select one
	either-or
f	digits 0-9 or a decimal point
d	digits 0-9
<cr>	carriage return (ASCII 13)
<lf>	line feed (ASCII 10)
<float>	f f f f f
<integer>	d d d d d
<text>	any string of ASCII characters

Command Formats	Meaning
<cr>	Stops all pumps. All pumps on the pump chain interpret this as a stop command, but do not respond with a prompt.
pump address, <cr>	Request for prompt. The pump with the indicated address responds with its prompt.
optional pump address, command, <cr>	Sends a command to a pump. The pump with the indicated address executes the command then responds with its prompt. The optional pump address, if not specified, will default to pump address 0.

After each command is received and executed, the pump acknowledges the command with a prompt. Preceding the prompt will be the text response, if applicable. The text response will be one or more lines of ASCII text, each preceded by a line feed and terminated by a carriage return:

<lf>, <text>, <cr>

KDS Gemini 88

PUMP CHAIN COMMANDS AND RESPONSES (continued)

A prompt is a string of ASCII characters sent by a pump, indicating the pump's address and its present state:

Prompt Characters	Meaning
<lf>, 1 or 2 digit address, prompt character	
:	Pump stopped
>	Syringe 1 infusing
<	Syringe 1 refilling
*	Pump stalled

PUMP COMMANDS AND RESPONSES

RUN

Starts pumping according to the present setting of the pump. If pump already pumping, a "Not Applicable" error is returned.

STP

Stops pump if it was running. If pump already stopped, a "Not Applicable" error is returned.

RAT [[A|B]] [[<float> [<units>]]

Request to set or query infusion rate settings.

Set syringe 1 rate:

RAT rate
RAT rate units
RAT A rate
RAT A rate units

Set syringe 2 rate (only valid in proportional mode):

RAT B rate
RAT B rate units

Rate is of the format: f f f f f f

Units are one of	Meaning
UM	$\mu\text{l}/\text{mn}$
UH	$\mu\text{l}/\text{hr}$
MM	ml/mn
MH	ml/hr

Rate 2 is only accepted when mode is Proportional. If rate is accepted and valid, rate will become the new rate. If the rate is invalid, an "Out Of Range" error is returned.

Query syringe 1 rate:

RAT
RAT A

Query syringe 2 rate (only valid in proportional mode):

RAT B

Response is of the following format:

f f f f f f <units>

Where units are one of the following:

ml/mn , ml/hr , $\mu\text{l}/\text{mn}$, $\mu\text{l}/\text{hr}$

KDS Gemini 88

PUMP CHAIN COMMANDS AND RESPONSES (continued)

DIA [{A|B}] [<float>]

Request to set or query syringe diameter settings.

Set syringe 1 diameter:

DIA diameter
DIA A diameter

Set syringe 2 diameter (only valid in proportional mode):

DIA B diameter

Corresponding syringe's rate will be zeroed.

Diameter is of the format: f f f f f f

Units are millimeters.

Diameter 2 is only accepted when mode is proportional. If diameter is accepted and valid, diameter will become the new diameter. Diameter **will not** be accepted if the pump is running and a "Not Applicable" error is returned. If the diameter is invalid, an "Out Of Range" error is returned.

Query syringe 1 diameter:

DIA
DIA A

Query syringe 2 diameter (only valid in proportional mode)

DIA B

Response is of the following format:

f f f f f f

Units are millimeters.

MOD [{AUT|PRO|CON}]

Request to set or query pumping mode

SET:	Command	Meaning
	MOD AUT	Puts pump in Auto Stop mode
	MOD PRO	Puts pump in Proportional mode
	MOD CON	Puts pump in Continuous mode

If pump is running, command will not be accepted and a "Not Applicable" error is returned.

Query:

MOD

Possible Responses	Meaning
AUT	Auto Stop mode
PRO	Proportional mode
CON	Continuous mode

KDS Gemini 88

PUMP CHAIN COMMANDS AND RESPONSES (continued)

DIR [{INF|REF|REV}]

Request to set or query pumping direction of syringe 1.

SET:	Command	Meaning
	DIR INF	Sets syringe 1 pumping direction to infusion
	DIR REF	Sets syringe 1 pumping direction to refill
	DIR REV	Reverses pumping direction of syringe 1

Direction of syringe 2 is set appropriately.

Query pumping direction of syringe 1:

DIR

Response will be one of:

INFUSE

REFILL

PAR [{ON|OFF}]

Request to set or query Parallel or Reciprocal setting.

SET:	Command	Meaning
	PAR ON	Sets syringes to parallel pumping direction.
	PAR OFF	Sets syringes to reciprocal pumping direction.

Direction of syringe 2 changes appropriately, while direction of syringe 1 does not change.

Query:

PAR

Possible Responses	Meaning
ON	Parallel
OFF	Reciprocal

IN <d>

Request to read in the TTL logic level at the specified pin, "d", on the external 9 pin D-SUB connector.

Valid pin numbers for input are:

6, 7 and 8

Possible Responses	Meaning
ON	TTL level high
OFF	TTL level low

If the pin specified is invalid, a "Not Applicable" error is returned.

KDS Gemini 88

PUMP CHAIN COMMANDS AND RESPONSES (continued)

OUT <d> = {ON|OFF}

Request to set the TTL logic level at the specified pin "d" on the external 9 pin D-SUB connector.

ON - Set pin to a logic high

OFF - Set pin to a logic low

Valid pin numbers for output are:

4 and 5

If the pin specified is invalid, a "Not Applicable" error is returned.

SAV

Request to save pump settings in the pumps non-volatile memory (NOVRAM). Normally, settings changed from a pump chain are not stored in the pump's NOVRAM and are lost after power down.

VER

Request for version of pumps embedded software.

Response for the present version will be: 33V2.0

PUMP CHAIN ERROR MESSAGES

Error messages are in the format:

<lf>, <message>, <cr>,

and are followed by a prompt. <Message> is one of the following:

Possible Responses	Meaning
?	Syntax error in a received command
NA	Command "Not Applicable" at this time.
OOR	"Out Of Range". Control data is out of pump's operating range.

KDS Gemini 88

Appendix A: Syringe Diameters in mm

(1) KDS Stainless Steel

Size	Diameter
8 cc	9.525 mm
20	19.130
50	28.600
100	34.900
200	44.755

(2) Becton Dickinson Plastic 'Plasti-pak'

Size	Diameter
1 cc	4.78 mm
3	8.66
5	12.06
10	14.50
20	19.13
30	21.70
50/60	26.70

(3) Air-Tite 'All Plastic'

Size	Diameter
2.5 cc	9.60 mm
5	12.45
10	15.90
20	20.05
30	22.50
50	29.00

(4) Unimetrics Series 4000 & 5000

Size	Diameter
10 µl	0.460 mm
25	0.729
50	1.031
100	1.460
250	2.300
500	3.260
1000	4.610

(5) Terumo

Size	Diameter
3 cc	8.95 mm
5	13.00
10	15.80
20	20.15
30	23.10
60	29.10

(6) Sherwood-Monoject Plastic

Size	Diameter
1 cc	4.65 mm
3	8.94
6	12.70
12	15.90
20	20.40
35	23.80
60	26.60
140	38.40

(7) Popper & Sons, Inc. 'Perfektum' Glass

Size	Diameter
0.25 cc	3.45 mm
0.5	3.45
1	4.50
2	8.92
3	8.99
5	11.70
10	14.70
20	19.58
30	22.70
50	29.00
100	35.70

(8) Renfac

Size	Diameter
2 cc	9.12 mm
5	12.34
10	14.55
20	19.86
30	23.20
50	27.60

(9) SGE Scientific Glass Engineering

Size	Diameter
25 µl	0.73 mm
50	1.03
100	1.46
250	2.30
500	3.26
1.0 ml	4.61 mm
2.5	7.28
5	10.30
10	14.57

(10) Hamilton-Microliter Series Gastight

Size	Diameter
0.5 µl	0.103 mm
1	0.1457
2	0.206
5	0.3257
10	0.460
25	0.729
50	1.031
100	1.46
250	2.3
500	3.26
1.0 ml	4.61 mm
2.5	7.28
5	10.3
10	14.57
25	23.0
50	32.6

(11) Becton Dickinson Glass-All Types

Size	Diameter
0.5 µl	4.64 mm
1	4.64
2.5	8.66
5	11.86
10	14.34
20	19.13
30	22.70
50	28.60
100	34.90

KDS Gemini 88

Appendix B: Nominal Min/Max Flow Rates

Minimum flow rates are taken from the smallest inside diameters and maximum flow rates are taken from the largest inside diameters of the syringes supplied by the eleven most widely used syringe manufacturers.

Nominal Minimum/Maximum Flow Rates for Various Syringes (Actual Limits will vary depending on manufacturer)

Syringe Size	$\mu\text{l/hr}$		$\mu\text{l/min}$		ml/hr		ml/min	
	Min.	Max.	Min.	Max.	Min.	Max.	Min.	Max.10
0.5 μl	0.0004			0.79				
1 μl	0.0008			1.58				
2 μl	0.0015			3.1				
5 μl	0.0037			7.93				
10 μl	0.0073			15.829				
25 μl	0.0183			39.756				
50 μl	0.0365			79.519				
100 μl	0.0731			159.46				
250 μl	0.1813					23.751		
500 μl								
1000 μl	0.7281					95.418		
1 ml	0.7828					102.580		
2 ml	2.8493					373.430		
2.5 ml	1.8156					237.950		
3 ml	2.5691					336.710		
5 ml	4.9824					653.010		
10 ml	7.2024							15.733
20 ml	12.5360							27.384
30 ml	16.1310							35.236
50 ml	24.4201							53.346
100 ml				0.087				91.20
140 ml				0.1053				106.60

KDS Gemini 88

Appendix C: Command Information

PUMP CHAIN COMMAND SUMMARY

All spaces in command are ignored. Maximum 5 digits per integer, or float data.

command	= >	[<adr>] [<cmd>] <CR>	
adr	= >	[d]d	1 or 2 digit address
cmd	= >	RUN	Start pump
		STP	Stop pump
		RAT [A] [<float> [<units>]]	Set/query syringe 1 rate
		RAT B [<float> [<units>]]	Set/query syringe 2 rate
		DIA [A] [<float>]	Set/query syringe diameter 1
		DIA B [<float>]	Set/query syringe diameter 2
		MOD [{AUT PRO CON}]	Set/query pumping mode
		DIR [{INF REF REV}]	Set/query pumping direction
		PAR [{ON OFF}]	Set/query Parallel/Reciprocal
		IN <d>	Read TTL pin d
		OUT <d> = {ON OFF}	Set TTL pin d
		SAV	Save settings in NOVRAM
		VER	Query software version
units	= >	{UM UH MM MH}	µl/mn, µl/hr, ml/mn, ml/hr

COMMAND RESPONSE OUTPUT FORMAT:

output	= >	[<response>] <prompt>	
response	= >	<response> <response> <lf> <message> <cr>	
prompt	= >	<lf> <adr> : <lf> <adr> > <lf> <adr> < <lf> <adr> *	Stopped Syringe 1 infusing Syringe 1 withdrawing Pump stalled
adr	= >	[d]d	1 or 2 digit pump address
message	= >	? NA OOR <text> <integer> <float>	Unrecognized command Command not presently applicable Entered value out of range

All spaces ignored. Maximum 5 digits per integer or floating point number.

LEGEND

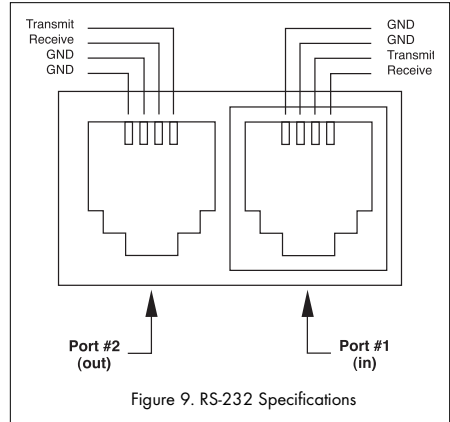
float	= >	f f f f f f
f	= >	d .
integer	= >	d d d d d
d	= >	0 1 2 3 4 5 6 7 8 9
b	= >	space
cr	= >	(ASCII 13)
lf	= >	(ASCII 10)
text	= >	(any string of ASCII characters)
< . . . >		non-terminal
upper case		terminals
[. . .]		optional
{ . . . }		select one
		either-or

KDS Gemini 88

Appendix D: RS-232 Specifications

PUMP CHAIN

- Pump Port 1: Computer control side
Pump Port 2: Connection for remainder of pump chain
- Baud Rate: 300, 1200, 2400 or 9600
- Word Size: 8
- Parity: none
- Stop Bits: 2

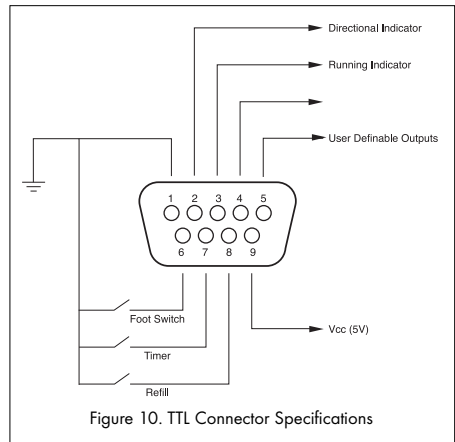


Appendix E: TTL Connector Specs

TTL Connections are via a 9 pin D-sub type connector. All inputs are internally pulled up to a logic high. All user definable pins are controlled via the IN and OUT pump chain commands. See Pump Chain Commands.

Pin Assignments

- 1) V_{ss} (Ground reference, logic low)
- 2) Directional Indicator:
Low - Syringe 1 Infusing
High - Syringe 1 Refilling
- 3) Pump Running Indicator
Low - Pumped Stopped
High - Pump Running
- 4) User Definable Output
- 5) User Definable Output
- 6) Foot Switch Input Falling edge starts/stops pump
- 7) Timer Input
Rising edge starts pump
Falling edge stops pump
- 8) Directional control input
Rising edge sets Syringe 1 to infuse
Falling edge sets Syringe 1 to refill
- 9) V_{cc} (Logic High Reference)

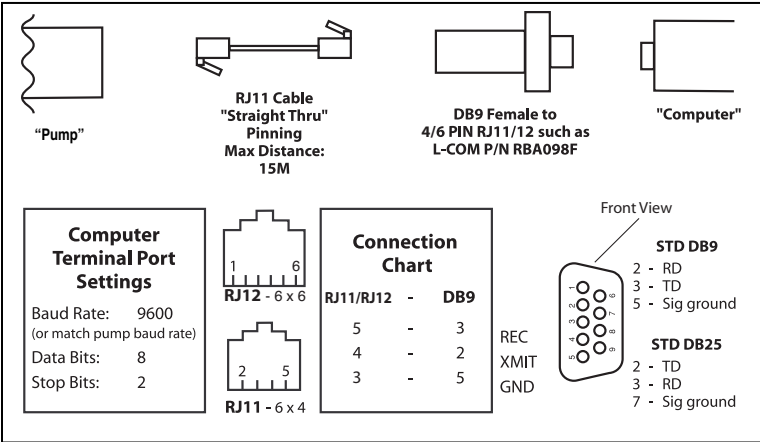


Logic Low: 0 V – 0.5 V
Max. 2 mA current sink

Logic High: 2 V – 5 V
Max. 400 mA current source

KDS Gemini 88

Appendix F: Pump to PC Connection



KDS Gemini 88

Appendix G: Maintenance

Pump 33 requires no special maintenance other than keeping it clean by avoiding accidental spills of pumped material.

The two guide rods and the lead screw should be sparingly lubricated periodically with the Magnalube-G R grease provided with the pump. This Teflon R based grease is available either from KD Scientific or Carleton-Stuart Corp. 13-02 44th Ave., Long Island City, NY 11101.

Solvents of any type should never be used to clean the pump. A mild detergent solution may be used to clean the keypad.

FUSE REPLACEMENT

Make sure power cord is disconnected from main supply before replacing fuse. Remove bottom cover on pump by removing four (4) rubber feet and four (4) screws. Locate fuse on power supply module. Remove fuse from fuse clip. Use caution no to break fuse when removing. Replace fuse, bottom cover, screws and rubber feet. For continued fire protection replace fuse only with 250V fuse of the specified type and rating. (3AG 1AMP 250V SLO-BLO)

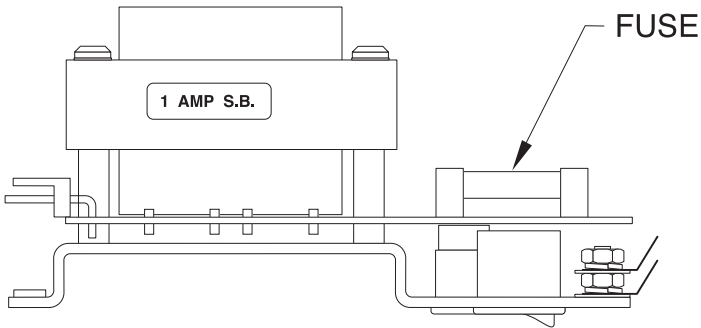


Figure 11. Fuse Replacement



WARNING:

Use in manner not specified by manufacturer may impair protection provided by equipment.

KDS Gemini 88

Appendix H: Troubleshooting

RS-232 DIFFICULTIES

Verify that the baud rates and data framing parameters on all devices are the same. With a pump chain, a "Communication timeout" error on a computer is usually caused by the computer errantly handshaking on the RTS, CS and/or DSR lines. Verify pins 4, 5 and 6, on the 25 pin connector, are jumpered on the computer side of the cable.

DISPLAY MESSAGES:

All digits flashing

Pump has not received any commands since being powered on.

Stall

Also a syringe LED and Run LED flashing. This indicates that the pusher block travel of the syringe corresponding to the syringe LED blinking has been impeded. This may be caused by the syringe plunger hitting bottom, a kink in the tubing, syringe plunger binding or any situation requiring more force to the head of the syringe than the pump is capable of delivering. To restart the pump, remove the cause of stalling and press RUN. The pump will continue the interrupted procedure where it stopped. Also note, a large increase in the pumping rate while running could also stall the motor.

oor

Out of range. A value was entered or encountered in a pump program that was beyond the pumps limits. Try using a different size syringe. Note that rates must be less than 42950. Express larger rates using different units.

Key pressed is not applicable.

Appendix I: Accessories

Catalog No.	Product
MA1-55-4144	Foot Switch
MA1-55-7760	Daisy Chain Cable 2ft for connecting two or more pumps; need 1 cable per pump
MA1-70-2022	RS-232 Connector Cable, 7ft, 9 pin D-Sub
MA1-55-7000	Continuous Delivery Valve Box, normal pressure, 30 p.s.i. supplied with 1/8" ID x 1/4" OD silastic tubing and connector cable for connection to the syringe pump.
MA1-55-7001	Continuous Delivery High Pressure Valve Box, high pressure, 200 p.s.i. supplied with 1/4" OD 304 stainless steel tubing with SWAGELOK® fittings and a connector cable for connection to the syringe pump.

KDS Gemini 88

Appendix J: Custom Applications

The KD Scientific 33 Syringe Pump lends itself to a multitude of OEM industrial applications, for all types of custom pumping or pilot plant applications. Please contact the KD Scientific Technical Support Department if we can be of help.



Declaration of Conformity

Manufacturer: *KD Scientific, Inc.
84 October Hill Rd.
Holliston, MA 01746-1388 U.S.A.
Phone: (508) 429-6809*

We herewith declare that the following product:

Product Name: *Gemini 88*
Model Numbers: *780350*

To which this declaration relates, is in conformity with the applicable EC Directives, harmonized standards, and other normative requirements:

**Application of
Council Directive(s):** *73/23/EEC, 89/336/EEC*

**Standard(s) to which
Conformity is Declared:**

Safety: *EN 61010-1, 2nd Edition (2001)*

Emissions/Immunity: *EN 61326:1997 w/ A1:1998 and A2:2001
EN 61000-4-2:1995
EN 61000-4-3:1996
EN 61000-4-4:1995
EN 61000-4-5:1995
EN 61000-4-6:1996
EN 61000-4-8:1994
EN 61000-4-11:1994
EN 61000-3-2:2000
EN 61000-3-3:1997*

Signature: 
Robert D. Bohre, V.P. of Operations

Date: 8/1/06